



# Installation Guide (retro-fit lids)



**WARNING: To avoid possible injury**

**Discard broken, cracked, or chipped lids.**

**Damaged lids are no longer suitable for use.**

1. StoneLids™ containing RF in the model # (located on the underside of the lid), require no additional modification. Simply place the StoneLid™ into the opening with the screw tabs in line with the screw holes inside the ring.
2. To secure your StoneLid™ with screws, (not provided), first complete drilling\* through the pilot holes, (fig.1) located on the underside of the lid using a 3/16" standard drill bit. Then using a #8 countersink bit gently drill 1/8" deep from the top side using the 3/16" hole as a guide. (DO NOT OVER TIGHTEN SCREWS)
3. In the event your StoneLid™ does not seat or fit properly into the opening, (usually due to deformation or thermal expansion of the skimmer ring), you can gently remove excess material from the lid with #60 grit sandpaper to achieve a proper fit. (fig.2)

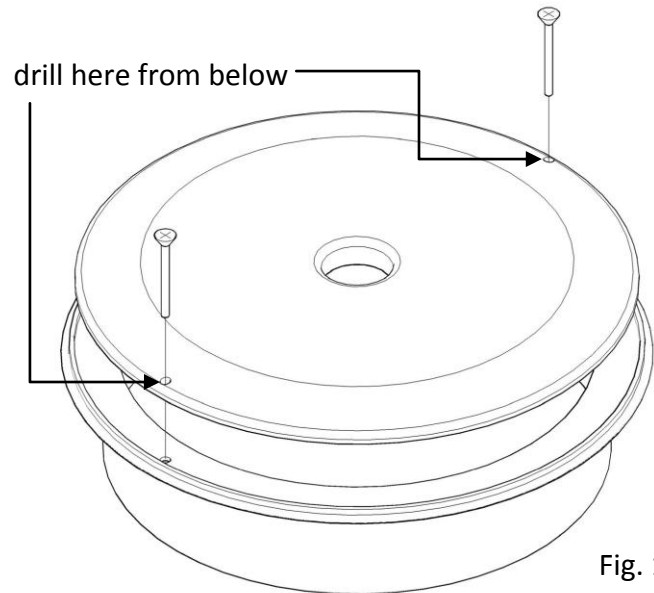


Fig. 1

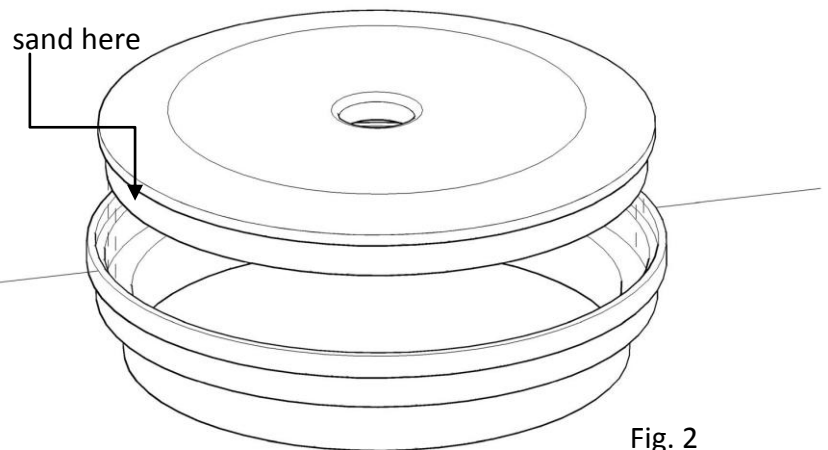


Fig. 2

**\*LIMITED WARRANTY:** (SEE WARRANTY CARD FOR IMPORTANT INFORMATION) Modern Composites warrants StoneLids™ products against manufacturing defects in materials and workmanship for a period of one year after the original date of purchase, determined by the date on the original purchase receipt, and will replace this product if it is found to be defective during the limited warranty period specified above. StoneLids™ are vastly superior to natural stone; however, they can be cracked, chipped, scored or otherwise damaged through misuse or carelessness. CRACKS AND CHIPS CAUSED BY DROPPING, DRILLING, SCORING OR OTHER MISUSE ARE NOT COVERED BY THIS WARRANTY.



# Installation Guide (new construction lids)



**WARNING: To avoid possible injury**

**Discard broken, cracked, or chipped lids.**

**Damaged lids are no longer suitable for use.**

1. StoneLids™ containing NC in the model # (located on the underside of the lid), are designed to seat on top of the skimmer ring to be installed. (fig.3) The upper ring of the lid is exactly ½" in thickness; therefore the top of the skimmer ring must be set ½" below finished grade of the deck in order to attain a flush condition of the lid upon installation. (fig.4)

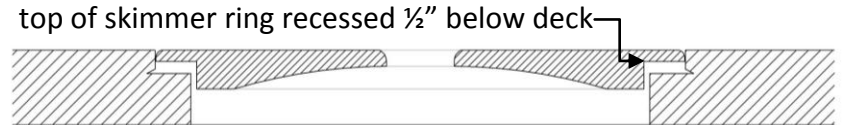


Fig. 3

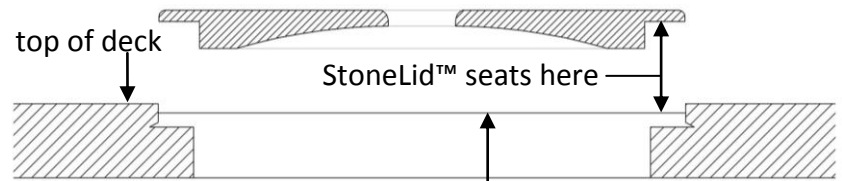


Fig. 4

2. To secure your StoneLid™ with screws, (not provided), first complete drilling\* through the pilot holes, (fig.1) located on the underside of the lid using a 3/16" standard drill bit. Then using a #8 countersink bit gently drill 1/8" deep from the top side using the 3/16" hole as a guide. (DO NOT OVER TIGHTEN SCREWS)

3. To prevent chipping, ease the edge of the deck material surrounding the outside of the lid. (fig.5)

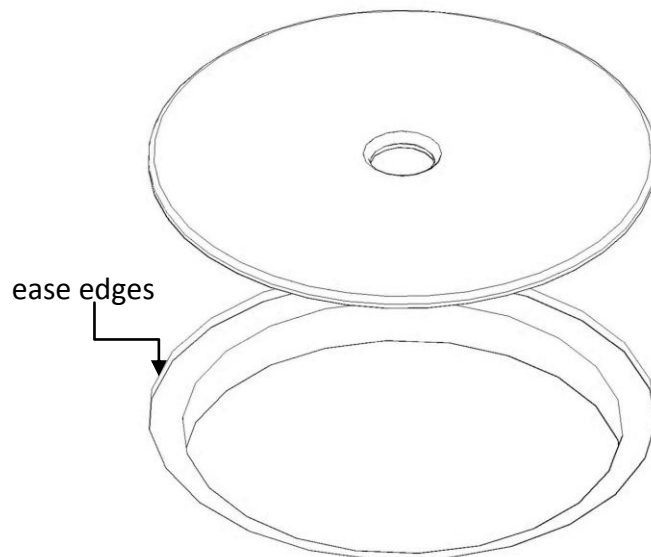


Fig. 5

**\*LIMITED WARRANTY:** (SEE WARRANTY CARD FOR IMPORTANT INFORMATION) Modern Composites warrants StoneLids™ products against manufacturing defects in materials and workmanship for a period of one year after the original date of purchase, determined by the date on the original purchase receipt, and will replace this product if it is found to be defective during the limited warranty period specified above. StoneLids™ are vastly superior to natural stone; however, they can be cracked, chipped, scored or otherwise damaged through misuse or carelessness. CRACKS AND CHIPS CAUSED BY DROPPING, DRILLING, SCORING OR OTHER MISUSE ARE NOT COVERED BY THIS WARRANTY.